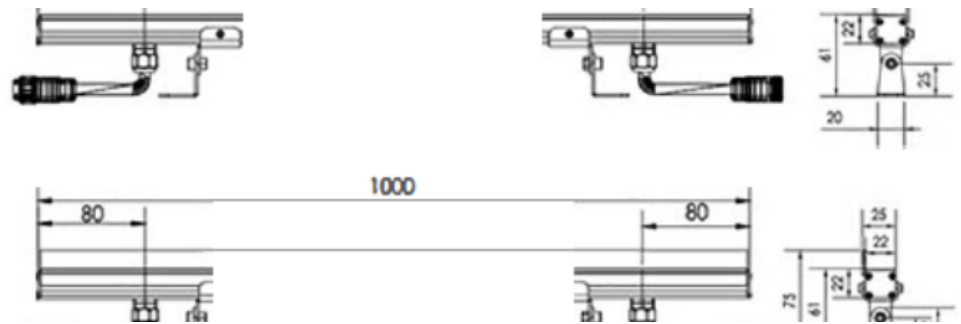


Outline Group

ALSL3316



<b>Product Code</b>	<b>ALSL3316—48</b>
LED Brand	OSRAM
LED Quantity	48pcs
Rated Power	10W/15W
Input Voltage	DC24V
Frequency Range	/
Colour	RGB/RGBW/Single
Beam Angle	>120°
Control Mode	DMX512/CC
Life	50000H
IP Rating	IP65
Ambient Temperature	-25°C ~ 50°C
Ambient Humidity	10% ~90%
Colour Temp (K)	3K ~6K

# Distribution

